

Benq W1350



The Benq model W1350 is a DLP projector with HDTV 1920 x 1080 resolution and a contrast of 10000:1. With the lens shift function, the projector can be positioned very freely. The projector can illuminate an image width of up to 508 cm thanks to its 2500 Ansi lumens. In room lighting, however, the image width should ideally be less than 339 cm. A smartphone with MHL connection can be connected directly to the MHL/HDMI port for 1080p / 60 Hz image mirroring (screen mirroring). The projector can also play 1080P and 3D without any problems. The model was built by Benq in 2015 and is no longer current.

Brief Introduction

Beta 2.5

Display Type

 1 x DLP Chip
HDTV 16/9 Ti Digital Light Processing Chip

Ansi-Lumen

Projector 2500 Screen 1111 Lux (bei 200 cm Screen)

Contrast

Projector 10000:1 full on/off Screen 10000:1 full on/off

Black Level

Projector 0,2500 min. Lumen Screen 0,111 min. Lumen

Lens shift

Vert.: +74% --60%

Resolution

HDTV 1920 x 1080

2.073.600 Pixel

Video Modes

WUXGA 1920 x 1200 compressed

Disc Recognition

Pal, SECAM, NTSC, HDTV 720p, 1080i, 1080p, 3D, EDTV 480p, 576p

3D Compatibility

DVD | HD Blu-ray | 3D Blu-ray | 4K UHD Blu-ray

Frame-Packing (Full HD 3D) | Side-by-Side | Top-and-Bottom

Frame Sequential (3D Ready)

Application

Homecinema | Medium screen width or rooms with little light, max. 100 lumens.

Light Source

260W Lamp

Light Life

Articel Nr.: 5J.JD305.001

2000 h. 4000 h. in Eco Mode

Operating Costs

21,92% / 0,16 €

Focus

Manual

Zoom

Manual 1,5

Objective

F=2,42-2,97 f=20,7-31,05 mm

Throw Ratio

1,39-2,09:1

Audio

1 x 10W

Connections

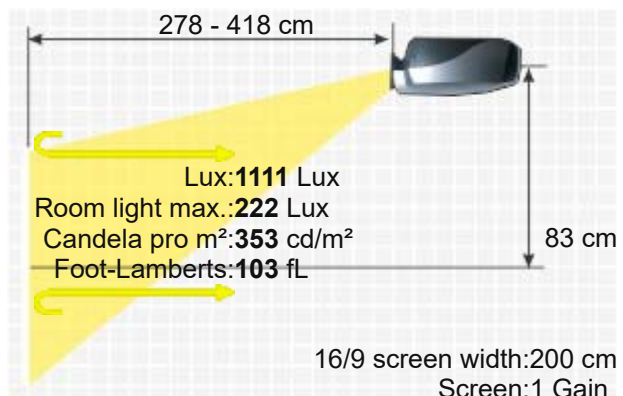
1 x HDMI in

1 x HDMI mit MHL in

D-sub 15pin in und out

YUV in

Cinch Video in



Cinch Stereo in
 Mini Jack Audio in und out
 USB A,B in
 RS232C Din 9 pin in
 12V Trigger out



Ceiling Mounting Yes
 Power 330 / 280W in Eco Mode
 Size WxHxD 330 x 119,5 x 247 mm (13"x4,7"x9,7") 9,7 L/dm³
 Operating Noise 34 / 32 dB in Eco Mode

Weight 3,68 kg / 8,11 lbs.
 Keystone Vert.: +/-30°
 Hori.: +/-30°

Illumination -

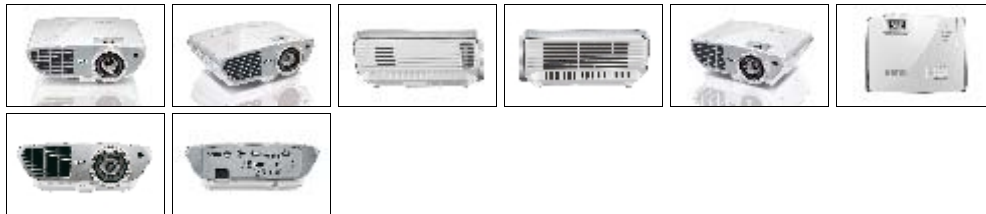
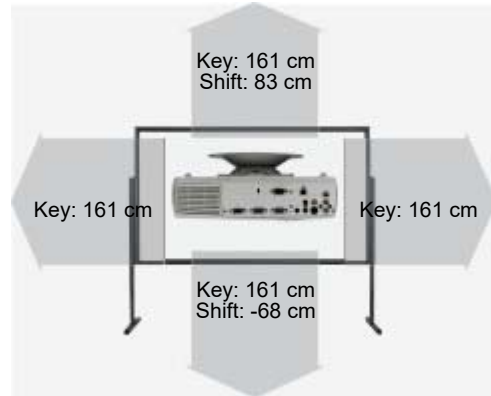
Frequenz H-sync: 15-102 kHz
 V-sync: 23-120 Hz

Foot-Lamberts 103 fL / max. 508 cm screen width
 353 cd/m²

- Real Full HD 3D
- Full HD 1080P compatible
- Lens shift Funktion
- Eco Mode

Optional Lamp original 5J.JD305.001
 Remote control original 5J.J9M06.001 / RCV012

Status Order here: <https://www.hcinema.de/lampen/shop-en.php?id=23174>
 2015 Discontinued (EOL) // Last update of the data: 2023-09-20
 Created: 2015-02-20 11:25:12



HCinema

<https://www.projector-database.com/pro/benqw1350-en.html>

Due to our ongoing commitment to continuously improve the quality of our projector database, this brochure is also subject to change without notice. HCinema is not responsible for any errors or omissions contained in product descriptions.