

MARQUEE® 9500LC Ultra SIM

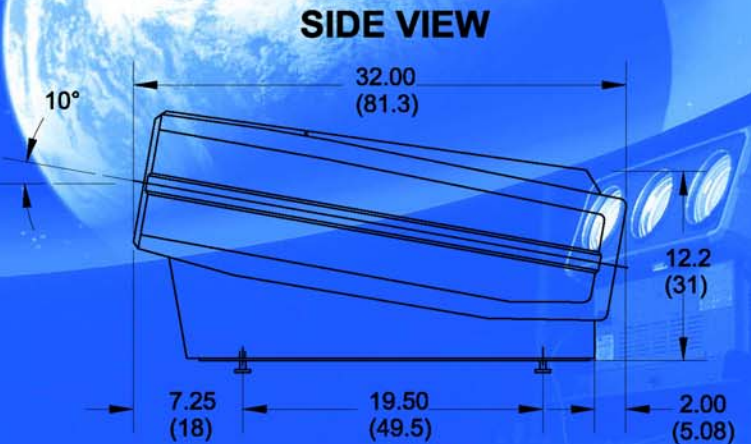
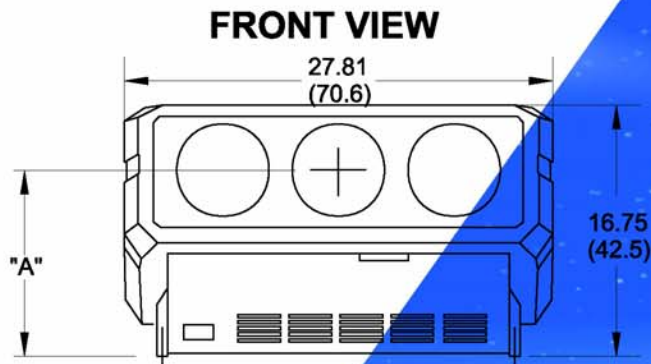


Features include:

- Greater than 2500 x 2048 pixel resolution
- Proven reliable performance
- Highest MTBF in the industry
- Superior image quality

Applications include:

- Broad range of simulation, VR, 3D and general purpose applications



Dimensions are in inches (centimeters)



MARQUEE® 9500LC Ultra SIM Specifications

VDCDS P/N: 38-P15298-08

Optics

- High definition hybrid lens
- Optical resolution: up to 12 line pairs/mm
- Wide variety of lens options
- Marquee 9500LC Ultra SIM 9" electromagnetic focus liquid-coupled SIM CRTs
- Variable Scheimpflug focal plane adjustment for top, bottom, and side to side focus

Resolution

- 2500 x 2048 pixels
- Adjustable 6-pole magnets for improved spot shape and reduced flare

Brightness

- CRT Type: 9" SIM
- >140 ANSI lumens @ 10% MTF

Display

- Electronic geometry circuits separately correct top, bottom and sides for flat or curved screens up to 25 feet diagonal with optional lenses
- Keystone circuitry to correct pictures for angles up to $\pm 15^\circ$ vertically from screen axis
- Color temperature adjustment for precise setup
- S and C vertical and horizontal linearity controls
- Adjustable four sided blanking
- Independent 9-zone contrast modulation reference for optimal color and intensity uniformity
- Master white intensity modulation aiding uniform brightness between multiple screens
- Independent R, G and B sub-brite controls via remote control or RS-232.

Input Signals

- Video Input Level: 0.5 to 1.0 volts p-p, 75. $\pm 1\%$ terminated
- Sync Input Level: 0.5 to 5.0 volts p-p, 75. terminated
- Automatically switches to separate sync, composite sync, or sync on green
- Separate and composite sync are automatically accepted in either polarity

Gamma Correction (optional)

- Gamma correction circuitry provided for enhanced low-level detail for night training simulation and gray-scale tracking

Frequency Response

- 150 MHz bandwidth (-3 dB)
- Accommodates < 2.5 nanosecond pixels and digital clock rates over 300 MHz
- DC Restoration
- Keyed clamp, better than 1% accuracy

Geometry

- Individual Red, Green and Blue keystone and pincushion geometric functions
- Minimizing "banding" effects at extreme geometric alignments
- Rectilinear Accuracy: 1.0% of picture height maximum
- Horizontal Linearity: 2.0% maximum (keypad adjustable)
- Vertical Linearity: 1.0% maximum (keypad adjustable)

Deflection Circuits

- Smartlock™ circuitry for quick lock-in and ultra steady images

Vertical Deflection

- Frequency Range: 38 Hz to 180 Hz autolock
- Size automatically regulated over frequency range and adjustable to $\pm 15\%$ of nominal
- Retrace Time: less than 300 microseconds

Horizontal Deflection

- 15 kHz to 152 kHz autolock
- Size automatically regulated over frequency range and adjustable to $\pm 15\%$ of nominal

Power Requirements

- 90 VAC to 264 VAC universal input
- Line Frequency: 50 to 60 Hz nominal
- Power: 650 watts maximum
- Power Factor Corrected (CE Compliant)

Inputs

- Built-in RGBHV interface. Optional inputs include a RGB Input Module, a RGB Loop-Thru Module, a Multi-Standard Video Decoder and a HDTV Module
- Built-in RS-232 for computer control, with loop-thru for connection of multiple projectors

Optional Source Expansion

- The Marquee Signal Switcher allows use of up to nine additional input modules.
- Up to nine switchers can be connected.
- Maximum Number of Inputs: 78

Control Features

- Multi-language software (user selectable)
- Menu driven interface with on-screen help
- Built-in set up tutorials
- Auto power up after power interruption
- Internal frequency generator with 5 built-in test patterns
- Programmable events and real time clock
- Optional IR AMP Distribution Box, for precise control of multiple projectors.

Servicing

- Removable, sliding front or rear, one-piece top cover
- Modular design provides ease of servicing
- Most service adjustments are made using the keypad

Environment

MAXIMUM OPERATING RANGE

- Temperature: 0 to 35 °C
- Humidity: 0 to 90% non-condensing
- Altitude: 0 to 3000m (0-10,000 ft.)

STORAGE

- Temperature: -30 °C to 65 °C

HEAT DISSIPATION

- 2450 BTU/Hr (approximate)

Mounting

- Can be ceiling mounted or placed on a cart for portable applications

Weight

- 176 lbs (80 kg) / 229 lbs (104 kg) shipping weight

Accessories Included

- 1 IR remote multi-use, backlit, full function keypad
- 1 Internal multi-use, backlit, full function keypad
- Tool Kit
- User's manual
- Line cord

Regulatory Approvals

- FCC Class A, DHHS and HWC requirements, EN55022 Class B
- CSA/UL/EN 60 950 EU Directives 73/23/EEC, 89/336/EEC (CE marked)

Warranty

- Three years parts (1 year CRTs) and One year labor (see user's manual). Extended warranties available upon request

Additional Options & Accessories Available. Contact your reseller or VDC Display Systems for more information about the available optional products and accessories

Due to constant research, product specs are subject to change without notice

 **Display Systems**

7177 N. Atlantic Avenue, Cape Canaveral, Florida 32920

Telephone: 321.784.4427 / Fax: 321.784.6617

E-mail: sales@vdcdisplaysystems.com