

Christie CP2308

Digital cinema
Alternative and local content



Advanced electronics, simple cinema projection

The Christie® CP2308 is a full-featured, DCI-compliant projector that offers small-screen exhibitors an advanced, yet affordable digital cinema option. Utilizing Xenon illumination and producing up to 9000 lumens, the CP2308 displays realistic colors and gradients for an immersive experience audiences notice.

Fully compatible with third-party IMBs, the CP2308 gives customers flexibility and choice. With a built-in expansion card slot, this projector accommodates various performance, control and connection add-ons for a flexible, and future-proofed solution. The CP2308 is the perfect choice for those looking for a value-packed, compact projector that offers a very low cost of ownership.

CHRISTIE®

Christie CineLife

Simple booth management

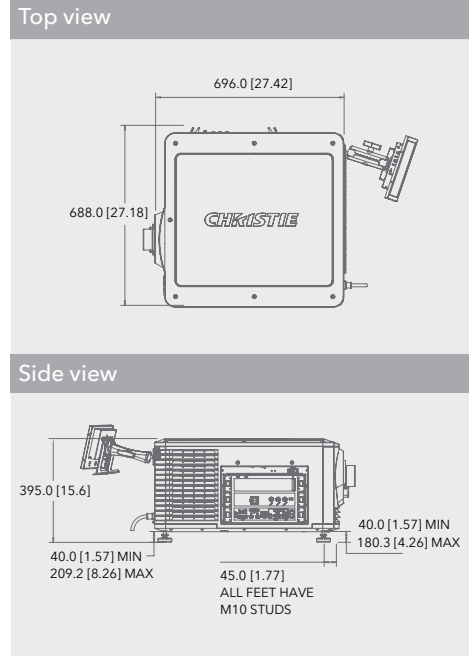
The CP2308 is equipped with Christie® CineLife™ electronics. Featuring a streamlined UX-inspired interface, CineLife simplifies the playback, scheduling and management of cinema content. The built-in screen management system enables seamless content and booth management, KDMs, playlist scheduling, monitoring and more. Projector setup is quick and easy with the auto-configure feature that automatically adjusts the projector settings for optimal playback when connecting different sources. Engineered with the operator in mind, the CP2308 is the most user-friendly cinema projector available.



▲ Scheduler interface



▲ MCGD file setup interface



Specifications		Christie CP2308
Brightness	lamps	<ul style="list-style-type: none"> • CDXL-14M (003-003066-01) • CDXL-16M (003-003900-01) • CDXL-19SC (003-005366-01) • CDXL-21S1 (003-004258-01)
	nominal	• Up to 9000 DCI lumens; 10,000 native lumens
	maximum screen size	• 35ft/10.67m @ 1.0 screen gain
Contrast ratio		• >1700:1 full field on/off
Digital micromirror device		<ul style="list-style-type: none"> • 0.69" S2K 3-chip DMD DLP Cinema® • 2048 x 1080 pixels
Number of colors		• 35.2 trillion
Lens mount configuration		• Fully motorized intelligent lens system (ILS)
Lenses		<ul style="list-style-type: none"> • 1.2-1.72 (108-494108-01) • 1.33-2.1 (108-495109-01) • 1.62-2.7 (108-496100-01) • 2.09-3.9 (108-497101-01)
Input line voltage		• Single phase 220V
Lamp power supply		• 700W-2.3kW low-ripple switch mode lamp power supply
Automation		<ul style="list-style-type: none"> • GPIO/Health Connector with 4 opto-isolated GPI (inputs), 4 relay driven GPO (outputs), "Projector Health" status - relay driven output • "Serial-over-Ethernet" based automation
Weight		• As installed: 119lbs (53.75kg)
Size		• (LxWxH): 27.4 x 27.1 x 15.6" (696 x 688 x 395 mm)
Accessories		<ul style="list-style-type: none"> • NAS-S2 4TB storage (138-101103-01) • 90-degree extraction duct adapter (119-103105-01) • Rack mount stand (108-416102-01)

¹ DCI-compliant NAS storage systems available through your Christie sales representative.

Key features:

- DCI-compliant
- Built-in automation
- Choice of 4 Xenon lamp options
- 3D ready
- Low cost of ownership
- Third-party IMB support
- Motorized lens mount
- Decrypts content for DCI playback
- Touch panel controller with intuitive UX designed graphical user interface
- HFR capable
- HDMI 1.4
- Quick, easy rear access to the lamp
- Washable/reusable filters
- Expansion card slot
- Backed by a dedicated technical support team

Corporate offices

Christie Digital Systems USA, Inc.
Cypress
ph: 714 236 8610

Christie Digital Systems Canada Inc.
Kitchener
ph: 519 744 8005

Worldwide offices

Australia
ph: +61 (0) 7 3624 4888

Brazil
ph: +55 (11) 2548 4753

China (Beijing)
ph: +86 10 6561 0240

China (Shanghai)
ph: +86 21 6278 7708

France
ph: +33 (0) 1 41 21 44 04

Germany
ph: +49 2161 664540

India
ph: +91 (080) 6708 9999

Japan (Tokyo)
ph: 81 3 3599 7481

Korea (Seoul)
ph: +82 2 702 1601

Mexico
ph: +52 55-4744-1790

Republic of South Africa
ph: +27 11 251 0000

Russian Federation and Eastern Europe
ph: +36 (0) 1 47 48 100

Singapore
ph: +65 6877 8737

Spain
ph: +34 91 633 9990

United Arab Emirates
ph: +971 4 3206688

United Kingdom
ph: +44 (0) 118 977 8000

United States (Arizona)
ph: 602 943 5700

United States (New York)
ph: 646 779 2014

Independent sales consultant offices

Italy
ph: +39 (0) 2 9902 1161



For the most current specification information, please visit www.christiedigital.com

Copyright 2017 Christie Digital Systems USA, Inc. All rights reserved. All brand names and product names are trademarks, registered trademarks or tradenames of their respective holders. Christie Digital Systems Canada Inc.'s management system is registered to ISO 9001 and ISO 14001. Performance specifications are typical. Due to constant research, specifications are subject to change without notice. Printed in Canada on recycled paper. 4454 Mar 17

CHRISTIE