

Christie CP2208-LP

Digital cinema
Alternative/local content



A compact, laser phosphor cinema projection solution with global appeal

Investing in a new digital cinema projection system that meets DCI standards can be a significant investment – especially if distributor-backed financing isn't available. Christie® has created an affordable and compact DCI-compliant laser phosphor solution that delivers audience-captivating content in theaters around the world.

Based on laser phosphor illumination, the Christie CP2208-LP eliminates the need for lamp replacements, drastically reducing the cost and time associated with maintenance, consumables and downtime. Featuring an optional, easy-to-use Screen Management System (SMS), multiple lens options and a compact form-factor, the CP2208-LP is an affordable and reliable platform that allows for easy conversion to laser phosphor cinema projection.

CHRISTIE®

Christie CP2208-LP

With the ability to display DCI, 3D, High Frame Rate (HFR), alternative and local content, this projector takes superior performance coupled with flexibility and low cost of ownership to a new level. Cinematic content can be displayed using the optional Christie integrated media block (IMB-S2)¹ or another popular Series-2 integrated media block (IMB) system² using the open IMB slot. This will help to reduce your overall system cost and increase overall system reliability. The Christie CP2208-LP also offers HFR upgrade capabilities and support for advertising and alternative content. For external alternative content sources, the Christie CP2208-LP has dual DVI/HDMI inputs, configurable for both 2D and 3D operation.

Key features:

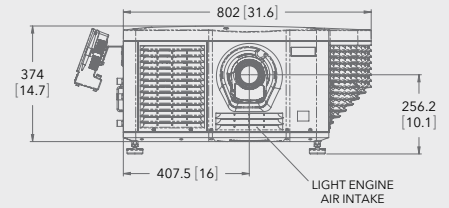
- Fully DCI-compliant
- Solid state illumination with no lamp changes or maintenance
- 3D ready
- Low cost of ownership
- Motorized lens mount
- Optional integrated media block with SMS and high-performance NAS storage
- Open IMB slot
- Touch panel controller with intuitive Graphical User Interface (GUI)
- HFR capable
- Standard support for HDCP
- Low carbon footprint
- Washable/reusable filters
- Backed by a dedicated technical support team

Specifications		Christie CP2208-LP
Brightness	nominal	• Up to 8000 DCI lumens; 11,000 native lumens
	maximum screen size	• 35ft/10.67m @ 1.0 screen gain
	lifetime	• 30,000hrs to 50% brightness when operated <25°C
Contrast ratio		• >1700:1 full field on/off
Digital micromirror device		• 0.69" S2K 3-chip DMD DLP Cinema® • 2048 x 1080 pixels
Number of colors		• 35.2 trillion
Lens mount configuration		• Fully motorized intelligent lens system (ILS)
Lenses		• 1.2-1.72 (108-494108-01) • 1.33-2.1 (108-495109-01) • 1.62-2.7 (108-496100-01) • 2.09-3.9 (108-497101-01)
Input line voltage		• Single phase 220V
Power input requirements		• Input A: 200-240V, 50/60Hz, 11A • Input B (UPS input): 100-240V, 50/60Hz, 3A
Weight		• As installed: 161lbs (73.2kg)
Size (not including lens or feet)		• (LxWxH): 32 x 33 x 15" (813 x 838 x 381mm)
Accessories		• Christie IMB-S2 (108-384107-03) • NAS-S2 4TB storage (108-502108-02) • HFR software upgrade • Rack mount stand (108-416102-01)

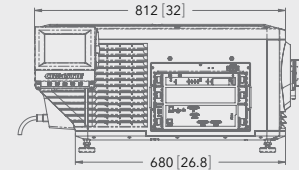
¹ DCI-compliant NAS storage systems available through your Christie sales representative.

² Dolby, Doremi or GDC IMB systems.

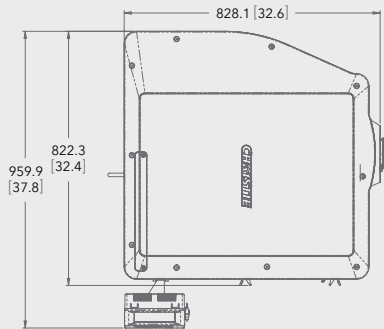
Front view



Side view



Top view



United Kingdom
Branch & EMEA
Head Office
ViewPoint
200 Ashville Way
Wokingham
Berkshire, U.K.
RG41 2PL
PH: +44 (0) 118 977 8000

Middle East
Light Industrial Unit (LIU-17)
Nad Al Shibba
Sheikh Mohammed Bin Zayed Road
Dubai Silicon Oasis
PO Box: 293762
Dubai - U.A.E
PH: +971 (0) 4 503 6800

Africa
Unit C3
Northlands Deco Park
New Market Road
Northriding
Randburg
2164
Johannesburg
Gauteng
South Africa
PH: +27 71 335 8667

Other EMEA offices

Germany
Branch Office
PH: +49 2161 566 200

France
Branch Office
PH: +33 (0) 1 41 21 44 04

Eastern Europe
Representative Office
PH: +36 (0)1 47 48 138

Spain
Branch Office
PH: +34 91 633 9990

Italy
Independent Sales Consultant Office
PH: +39 (0) 2 9902 1161

Russia
Independent Sales Consultant Office
PH: +7 (495) 930-8961



For the most current specification information, please visit www.christieemea.com